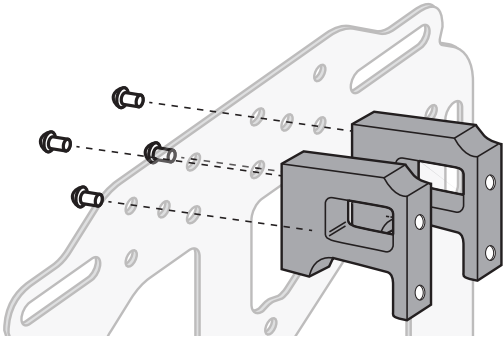




IMPORTANT: USE BLUE MEDIUM STRENGTH THREADLOCK WHEN INSTALLING GSA ADAPTER!

Use ORIGINAL 12mm stainless steel bolts to attach adapter to Pannier Mounts.



Use the LONGER black 15mm bolts included with your adapter to secure the locking clasp to the adapter.

